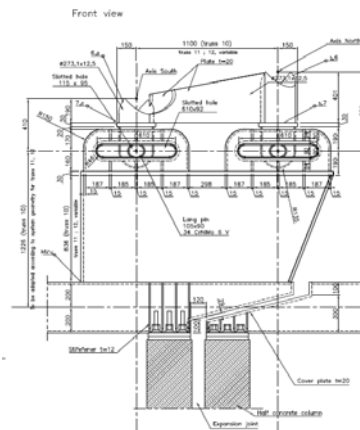
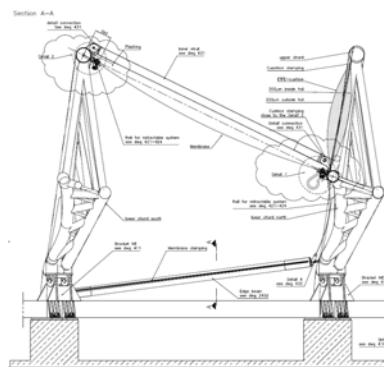


**Piräus Shopping  
Mall, Athens (GR)  
2009**

In Greece temporary covered areas are not seen as under roof areas. For this reason the upper level got a reefable membrane roof.

In demand was an as light as possible roof with a view to the outside. The solution is a shed-shaped reefable cover made of a highly translucent membrane and transparent cushions on parallel girders.

The main structure consists of 13 crescent-shaped girders which span freely over 60m. They are diagonal to the main direction of the building in East-West direction. So only the cool northern light enters through the ETFE-cushions into the mall.



Between the upper chord and the lower chord of the neighbouring girder is a one-layer glass fabric-silicone-membrane, which is fixed to travellers along the trail and can be reefed via motor and cable winch.

Covered area: 3.400 m<sup>2</sup>  
Membrane area: 3.700 m<sup>2</sup>  
Cushion area 1.200 m<sup>2</sup>

Membrane:  
Interglas Atex3000,  
Manufacturing: Textilbau

Foil: Nowofol ET6235,  
Manufacturing Vector  
Foiltec

Carriage system: Clauss  
Markisen

Architecture:  
Conran and Partners

Structural design,  
Membrane, Foil and steel  
including supervision of  
those works:  
formTL